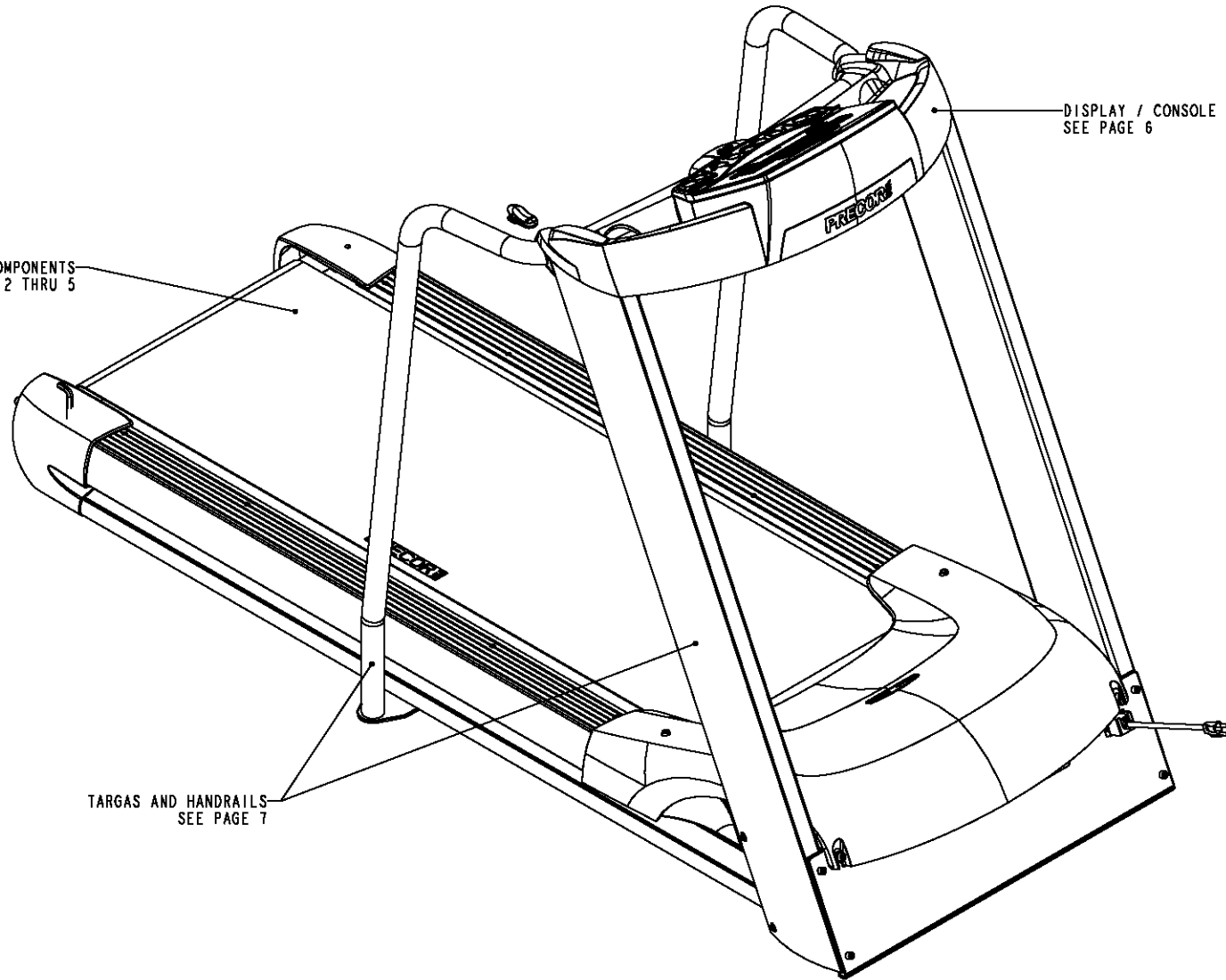


LOWER TREADMILL COMPONENTS  
SEE PAGES 2 THRU 5

DISPLAY / CONSOLE COMPONENTS  
SEE PAGE 6

TARGAS AND HANDRAILS  
SEE PAGE 7



M9.33

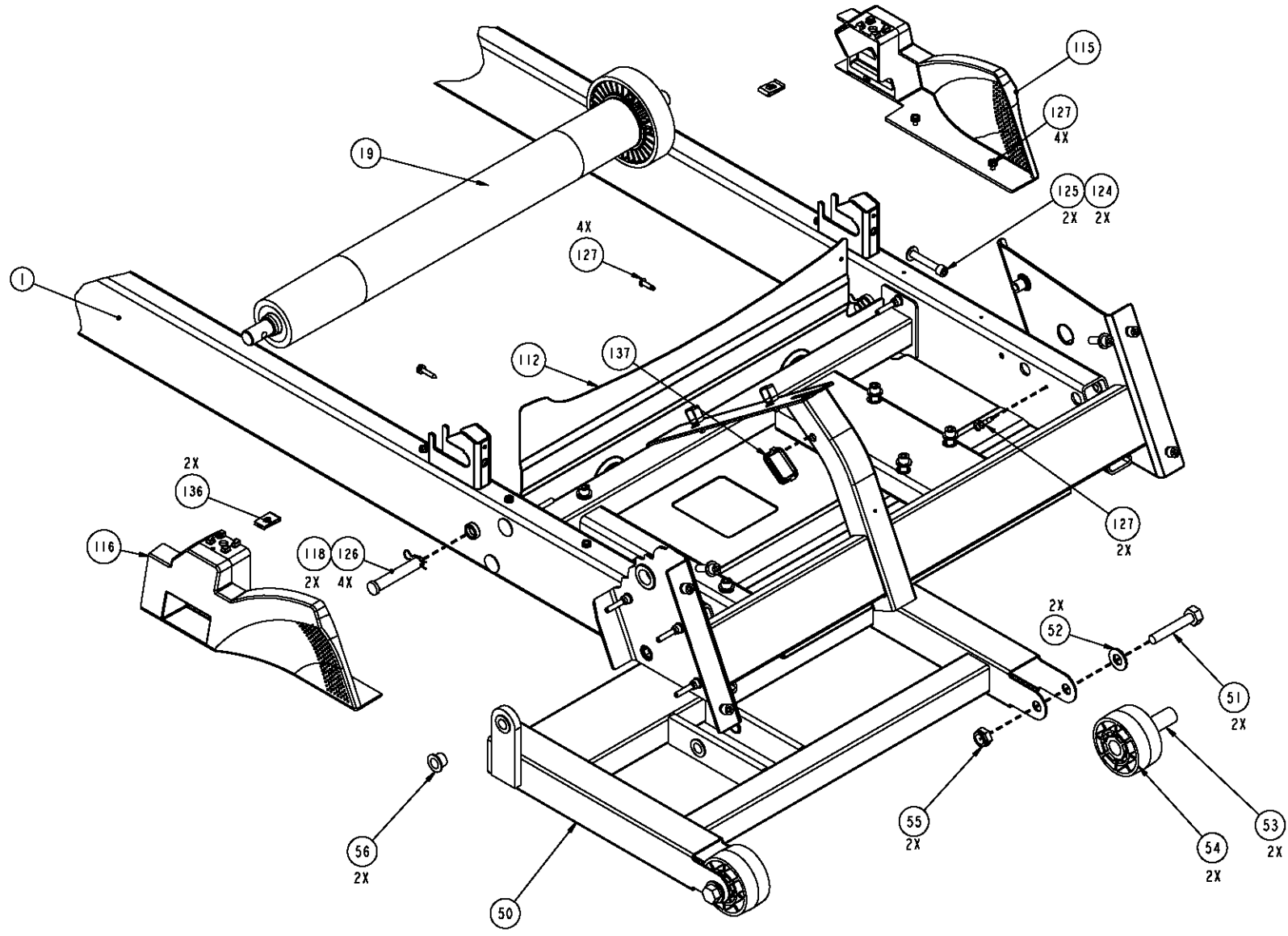
P/N 44100-101

REV: N01

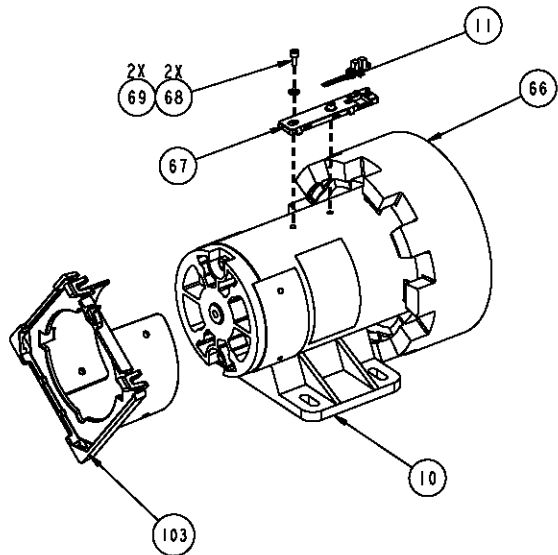
DRAWN BY: C THOMSON

DATE: 08.11.08

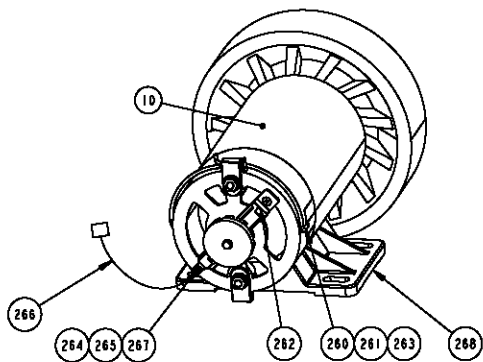
SHEET 1 OF 7



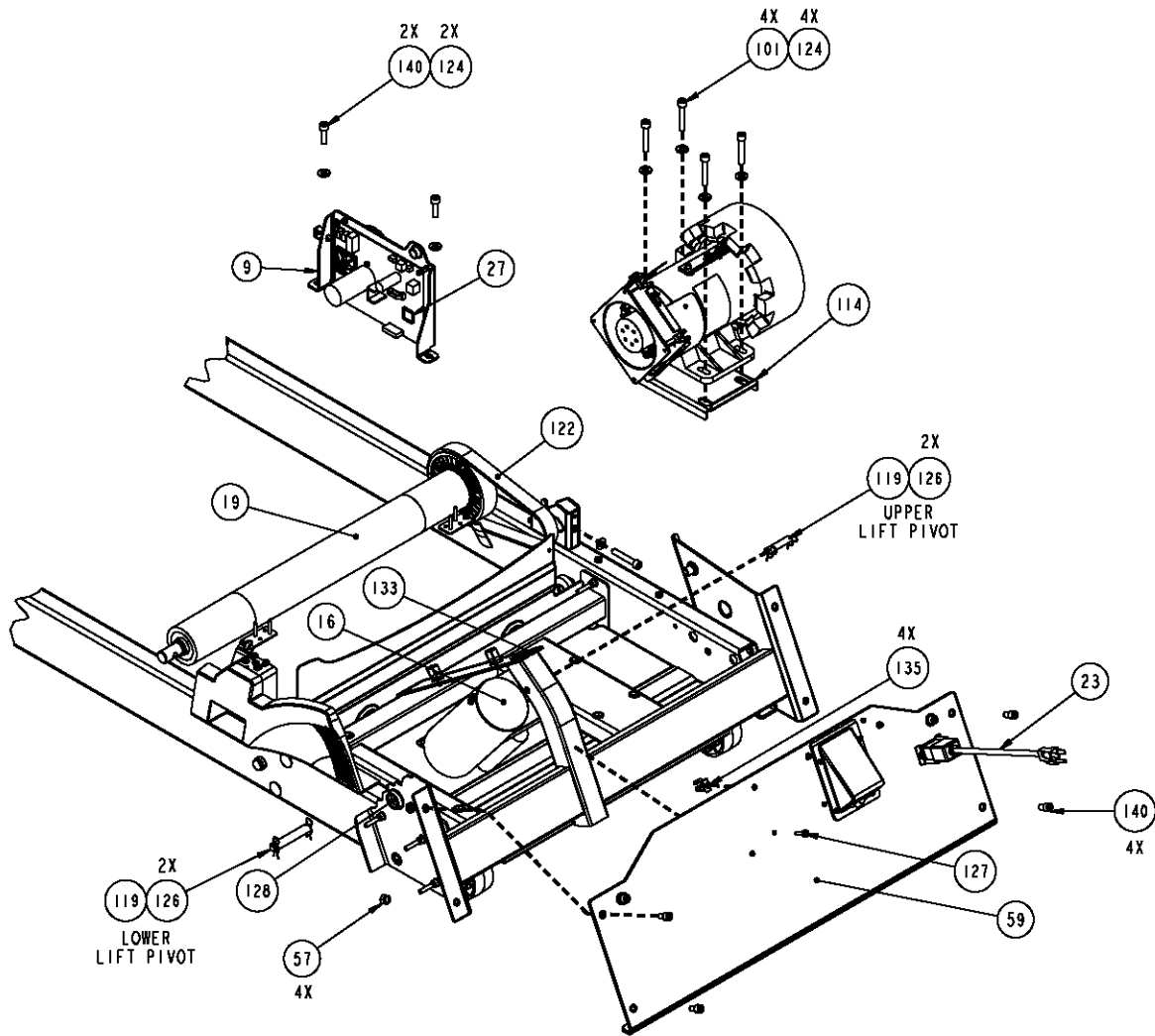
M9.33	P/N 44100-101	REV: N01
DRAWN BY: C THOMSON	DATE: 08.11.08	SHEET 2 OF 7



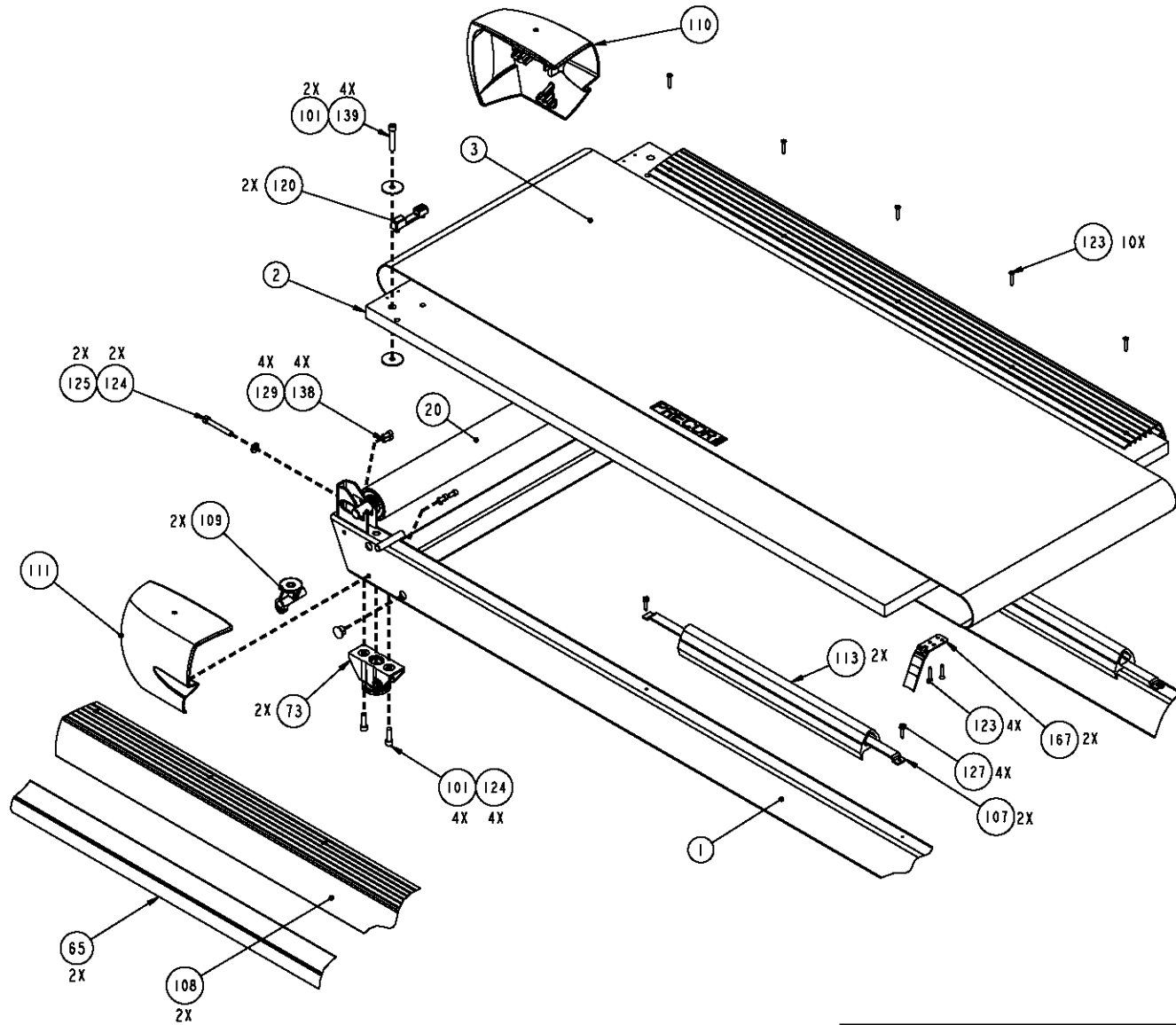
PACIFIC SCIENTIFIC MOTOR



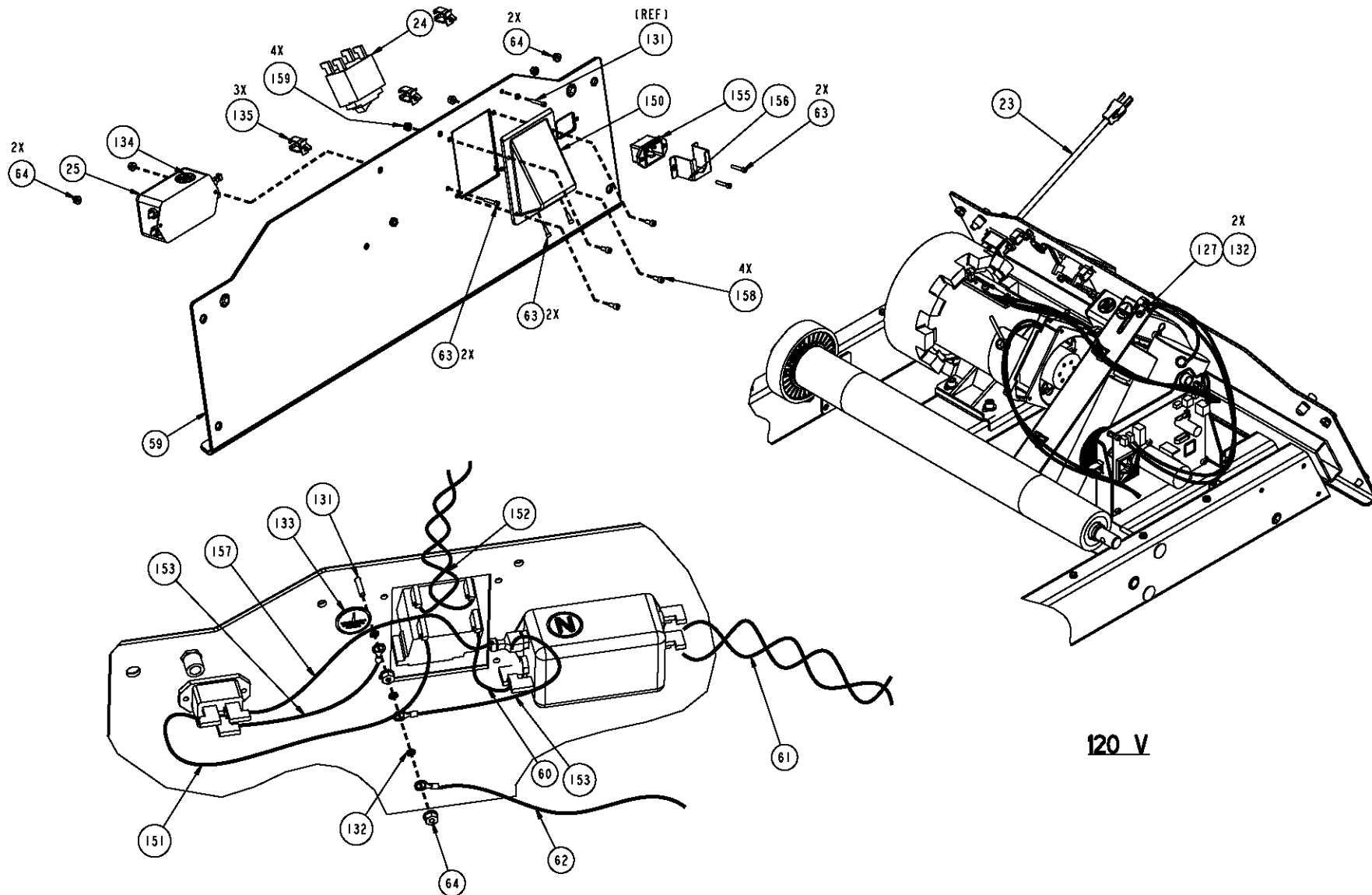
McMILLAN MOTOR



M9.33	P/N 44100-101	REV: N01
DRAWN BY: C THOMSON	DATE: 08.11.08	SHEET 3 OF 7



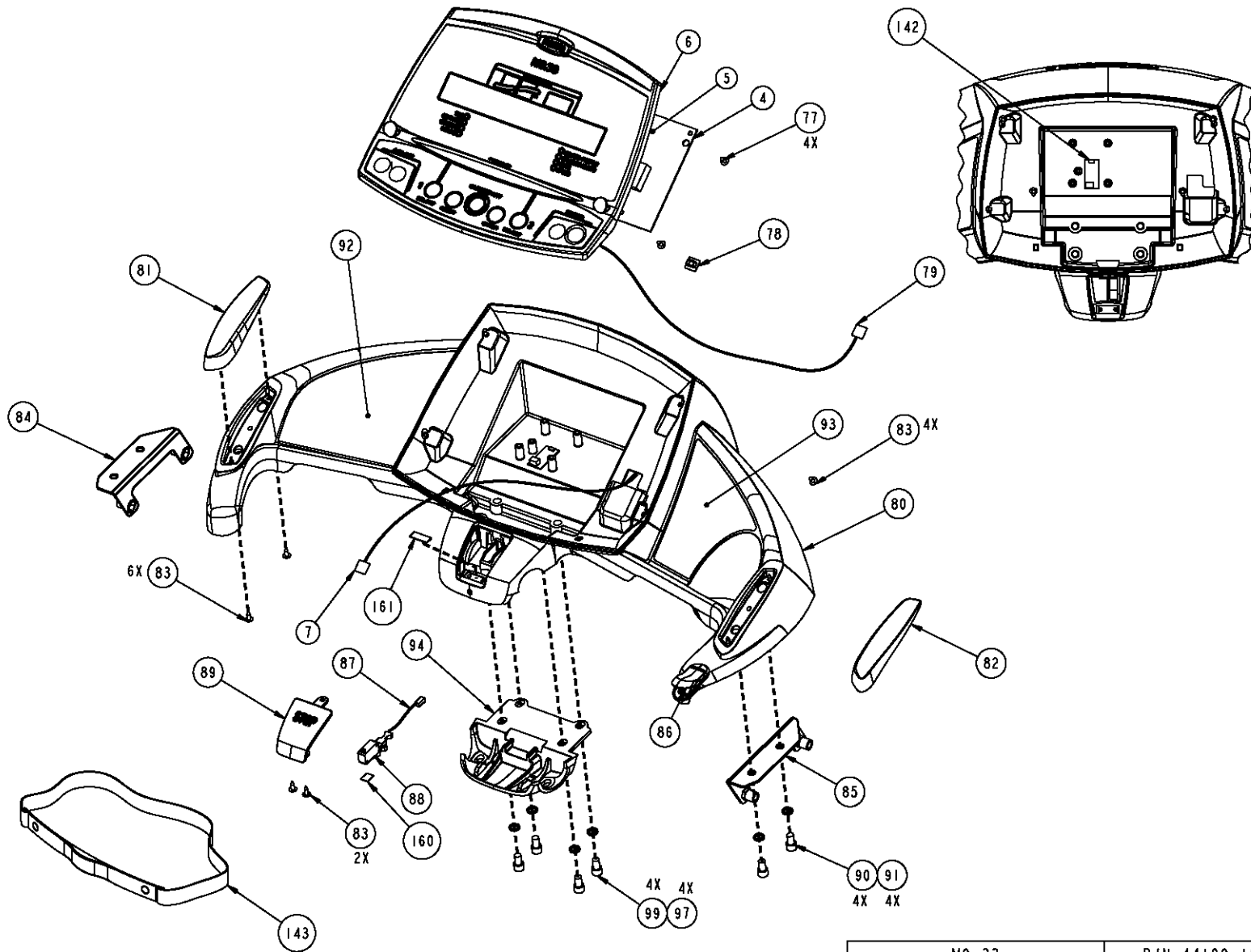
M9.33	P/N 44100-101	REV: N01
DRAWN BY: C THOMSON	DATE: 08.11.08	SHEET 4 OF 7



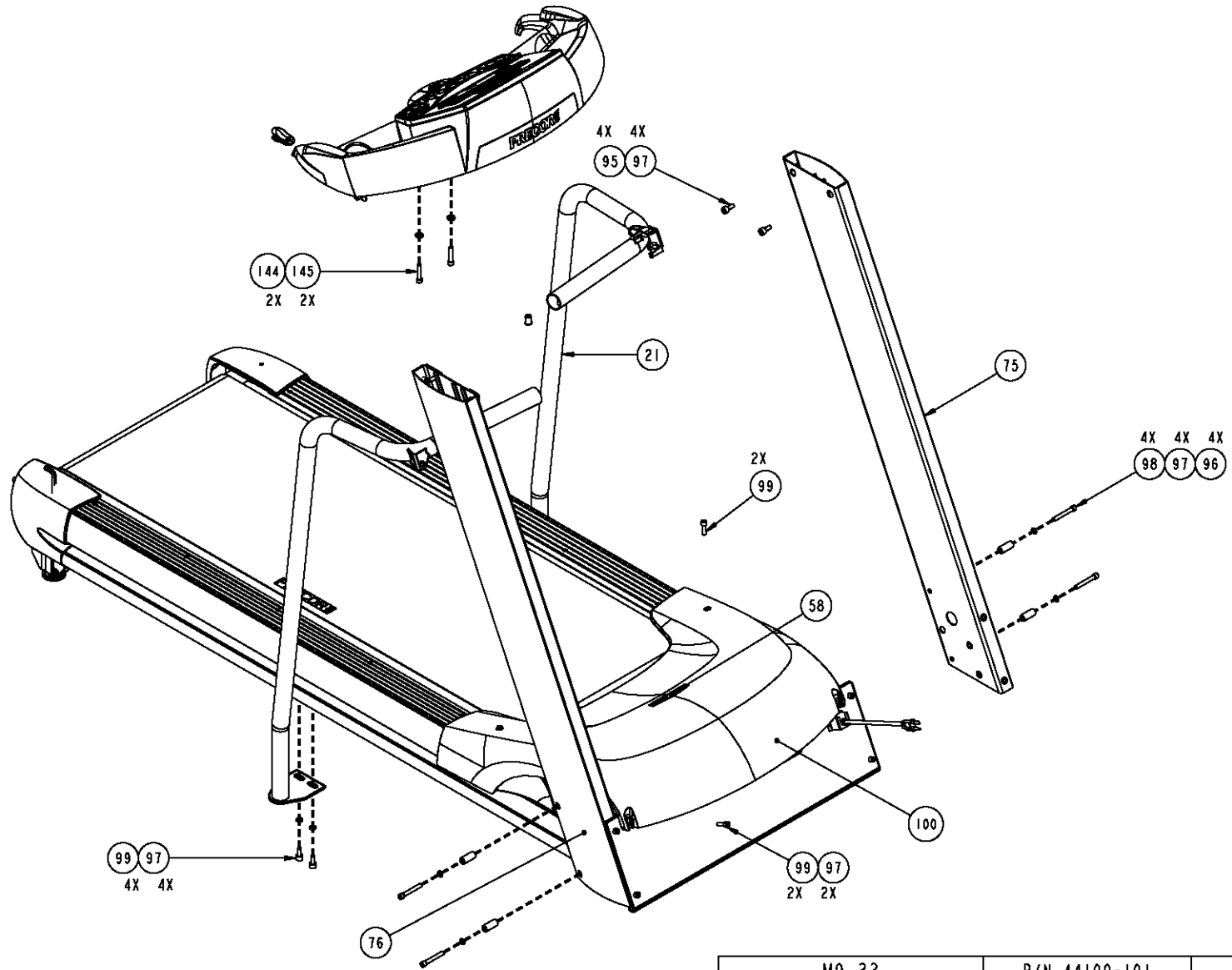
120 V

**WIRING DETAIL**  
SOME DETAIL REMOVED FOR CLARITY

M9.33	P/N 44100-101	REV: N01
DRAWN BY: C THOMSON	DATE: 08.11.08	SHEET 5 OF 7



M9.33	P/N 44100-101	REV: N01
DRAWN BY: C THOMSON	DATE: 08.11.08	SHEET 6 OF 7



M9.33	P/N 44100-101	REV: N01
DRAWN BY: C THOMSON	DATE: 08.11.08	SHEET 7 OF 7

Bubble #	OEM Part Number	Description
2	PPP000000059093101	DECK WITH SHIPPER KIT
3	PPP000000036355123	RUNNING BELT, SIEGLING, 120 X 20
7	PPP000000044905084	ASSY,CBL,MOD,8P8C,1-1,SILVER,84 in.
16	PPP000000013537103	LIFT ACTUATOR, 120 VAC
24	PPP000000010435101	CKT BRKR,250V,20A,MAGNETIC,ROCKER,2
51	PPP00000HCTN050250	SCREW,HEX,GR 5,1/2-13X2-1/2,BLK SHA
52	PPP00000WBZN050008	WASHER, FLAT,1/2,.086 BLK CVS
53	PPP000000036192101	BUSHING, SPANNER
54	PPP000000044270101	WHEEL, LIFT
55	PPP00000KACN050019	NUT,LOCK,HALF,1/2-13,NYLON INSERT,S
56	PPP000000010043113	BEARING,FLANGE,OD=.62 ID=.5
57	PPP00000KMCN031023	NUT, HEX, 5/16-18, ZINC
60	PPP000000044528006	ASSY,CBL,1 COND,14AWG,QK DISC,6 in.,BR
64	PPP00000KGCN013011	LOCKNUT, STARWASHER 6-32, #6
77	PPP00000MGCN016038	SCREW,MCH,8-32X3/8,PANHD,PHIL,
78	PPP000000012264101	RJ-45 TELEPHONE JACK PLUG
88	PPP000000012259102	SWITCH,MICRO,PLUNGER,SPNC
91	PPP00000WEGN031007	WASHER, FLT, 5/16X.688X.065,SS, BLK
124	PPP00000WBCN031007	WASHER,FLT,5/16X.688X.065, ZN
126	PPP000000010400103	PIN, HITCH, .093 DIA, ZINC, #203
127	PPP00000PKCN019075	SCREW,S/T,#10X.75,WSHHXHD,ZN
128	PPP000000010178107	BUSHING, SNAP
129	PPP00000CATN025050	SCREW,SKHD,1/4-20X0.50,BLK SHARPERI
132	PPP00000WAMCN019002	WASHER, LOCK, EXT TOOTH, #10
133	PPP000000033984101	LABEL, SAFETY, GROUND SYMBOL
134	PPP000000037436101	LABEL, CHASIS NEUTRAL
135	PPP000000011278101	CABLE CLAMP,INSERT
139	PPP00000WABCN031006	WASHER, FEN, 5/16, ID=.331,
142	PPP000000049725101	RECEIVER, WIRELESS, HEART RATE, HIG
145	PPP00000WBCN031007	WASHER,FLT,5/16X.688X.065, ZN
153	PPP000000044534008	ASSY,CBL,1COND,14AWG,QK DISC,8 in.



155	PPP000000045381101	IEC 16/20A POWER CORD INLET
158	PPP00000CATE016038	SCREW,SKHD, #8-32 X 3/8,BLK SHARPER
159	PPP00000KGCN016013	LOCKNUT, STARWASHER 8-32, HEX
209	PPP000000044165105	LABEL, WIRING DIAGRAM
260	PPP000000020002114	BRUSH W/ LEAD ASSY, RED, MCMILLAN S
261	PPP000000020002115	BRUSH W/ LEAD ASSY, BLACK, MCMILLAN
262	PPP000000020111101	GROUND BRUSH ASSY, MCMILLAN S3456B3
263	PPP000000020112101	BRUSH COVER, MCMILLAN S3456B3329
264	PPP000000020113101	SENSOR, TACHOMETER, MCMILLAN
265	PPP000000020114101	INTERRUPTER, 10 TOOTH, TACHOMETER,
266	PPP000000020115101	CABLE, TACHOMETER, MCMILLAN
267	PPP000000020116101	BRACKET, TACHOMETER SENSOR, MCMILLA
268	PPP000000020117101	BASE, MOTOR, MCMILLAN
269	PPP000000020118101	GROUND WIRE, 7.5 INCH, MCMILLAN
900	PPP000000011277111	RIVNUT, INSERT, LG DIA,5/16X18
999	PPP000000044134103	LITERATURE KIT, M9.33